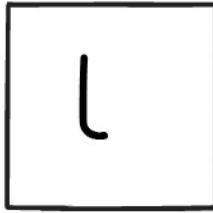


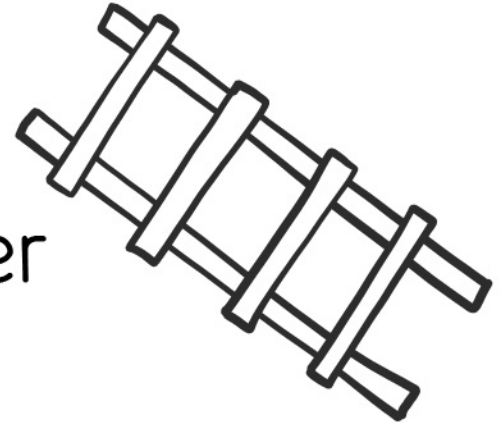
Name _____

Date _____

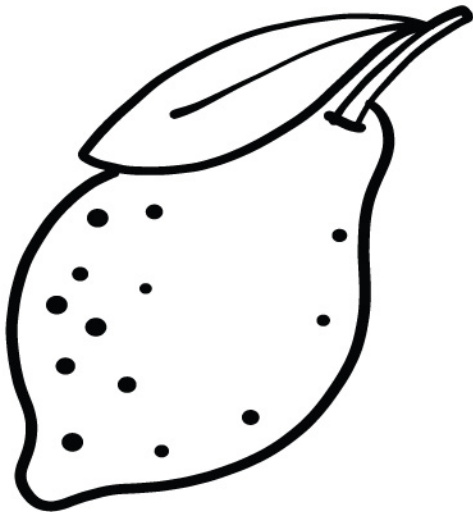
Letter l Identification Test 4



as in Ladder



Say the name of each picture.
Color the picture whose name
begins with the letter l



Draw something
that begins with l